



WAFERGARD® T-LINE GAS FILTERS

Clean, dry air for industrial applications



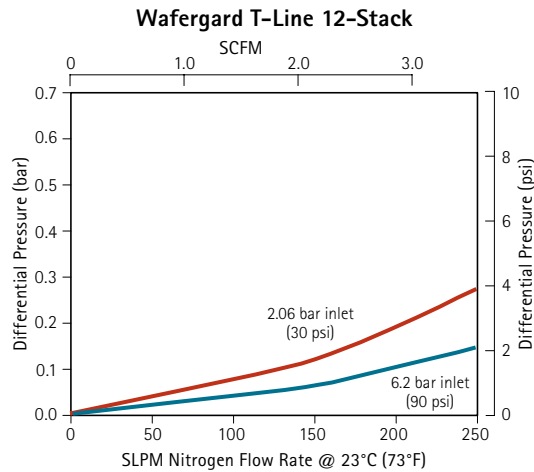
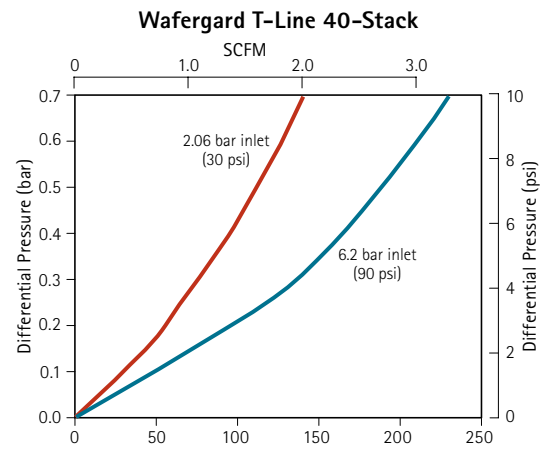
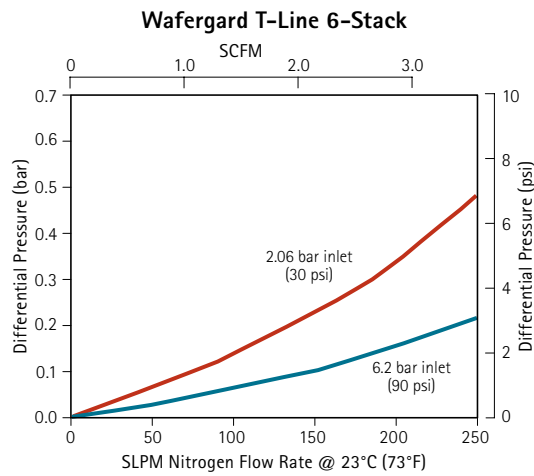
Overview

Entegris Wafergard® T-line filters are designed for the removal of particles in non-toxic and non-flammable inert gas applications requiring flow rates of up to 1500 SLPM (50 SCFM). Units are typically used in pneumatically driven equipment with 6-stack, 12-stack and 40-stack gas cartridge filters.

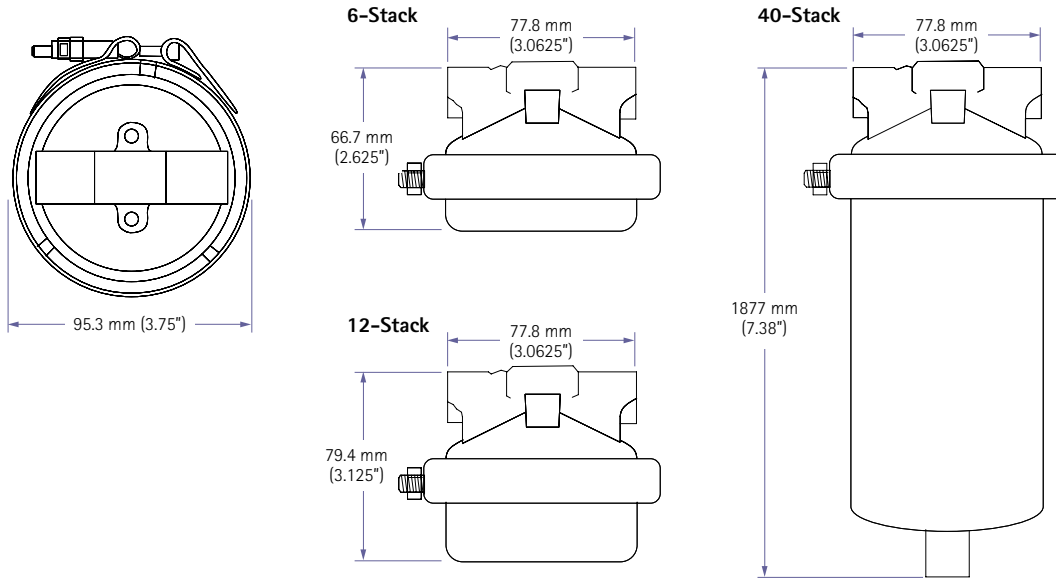
Features and Benefits

- Effectively retains particles of 0.003 µm size and above
- Easy filter replacement without breaking gas line connections
- Multiple configurations for process optimization
- Integrity tested for maximum performance and purity

Performance Data



Dimensions



Specifications

Materials:	Housing	Head and bowl are electropolished 316 stainless steel with Viton® o-ring
	Membrane	Hydrophobic Durapore® PVDF membrane supported by molded polysulfone stacked disk
Filter seal:	Viton o-ring (alternate EPR o-ring seal included)	
Removal rating:	0.003 µm	
Filter area:	6-stack	300 cm ² (46.5 in ²)
	12-stack	600 cm ² (93.6 in ²)
	40-stack	2000 cm ² (2.2 ft ²)
Flow rate:	6-stack	up to 300 SLPM (10 SCFM)
	12-stack	up to 600 SLPM (20 SCFM)
	40-stack	up to 1500 SLPM (50 SCFM)
Operating conditions:	Maximum inlet pressure	10.5 bar (150 psig) @ 20°C (68°F), 3.5 bar (50 psid) @ 100°C (212°F)
	Maximum differential pressure	4 bar (60 psid) @ 20°C (68°F)
	Maximum back pressure	0.7 bar (10 psid) @ 20°C (68°F)
	Maximum recommended temperature	120°C (248°F)
Warranty:	2 year	
Particle retention:	Greater than 99.9999999% removal of all particles (referenced at the most penetrating particle size)	

Ordering Information

6-Stack Filter System

Part Number	Description	Fitting Size/Quantity
YY50 00 510	Housing	1/4" FNPT
WGGB 06 S02	Cartridge filter, 2-115 o-ring	2 per package

12-Stack Filter System

Part Number	Description	Fitting Size/Quantity
YY50 00 500	Housing	1/4" FNPT
WGGB 12 S02	Cartridge filter, 2-115 o-ring	2 per package

40-Stack Filter System

Part Number	Description	Fitting Size/Quantity
YY55 00 030	Housing	1/2" FNPT
WGGB 40 S01	Cartridge filter, 2-118 o-ring	2 per package

Accessories

Part Number	Description	Fitting Size/Quantity
YY50 00 561	Clamp, 40-stack housing system	
YY55 00 031	Surface/wall mounting bracket, 40-stack housing system	
YY50 00 521	Wall mounting bracket (6-stack and 12-stack housings)	
YY50 00 551	Surface mounting bracket (6-stack and 12-stack housings)	
YY50 00 511	1/4" FNPT to 1/4" compression seal adaptor	2 per package
YY50 00 512	1/4" FNPT to 3/8" compression seal adaptor	2 per package
YY50 00 571	O-ring, 2-337, Viton	
YY55 00 002	O-ring, 2-337 E-P	
YY55 00 003	O-ring, 2-337 silicone	

For More Information

Please call your Regional Customer Service Center today to learn what Entegris can do for you. Visit www.entegris.com and select the Customer Service link for the center nearest you.

Terms and Conditions of Sale

All purchases are subject to Entegris' Terms and Conditions of Sale. To view and print this information, visit www.entegris.com and select the Legal Notices link from the footer.

Entegris®, the Entegris Rings Design® and Wafergard® are registered trademarks of Entegris, Inc. Durapore® is a registered trademark of Millipore Corporation. Viton® is a registered trademark of Dupont Dow Elastomers.

ENTEGRIS, INC.

Corporate Headquarters | 129 Concord Road | Billerica, MA 01821 USA
Customer Service Tel. +1 952 556 4181 | Customer Service Fax +1 952 556 8022
In North America 800 394 4083 | www.entegris.com